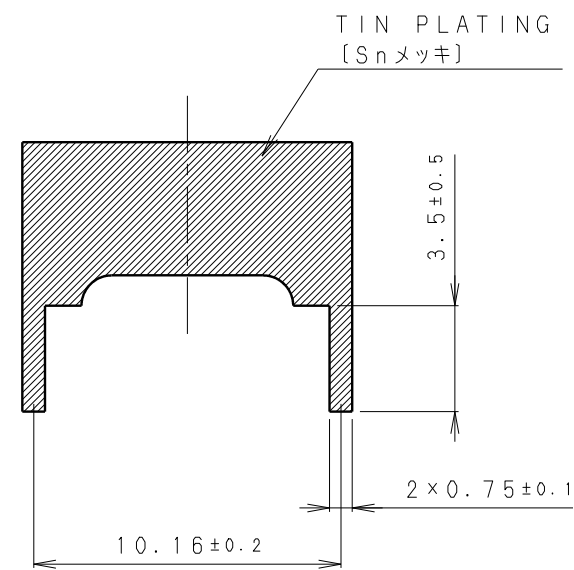
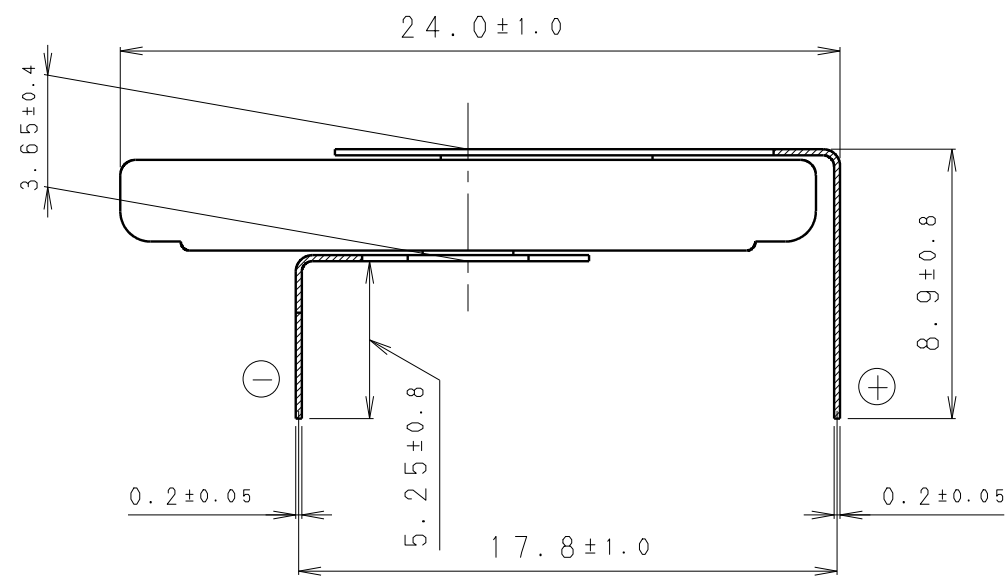
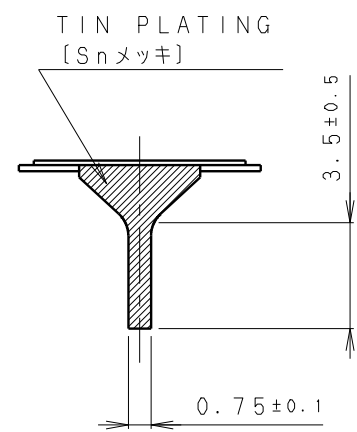
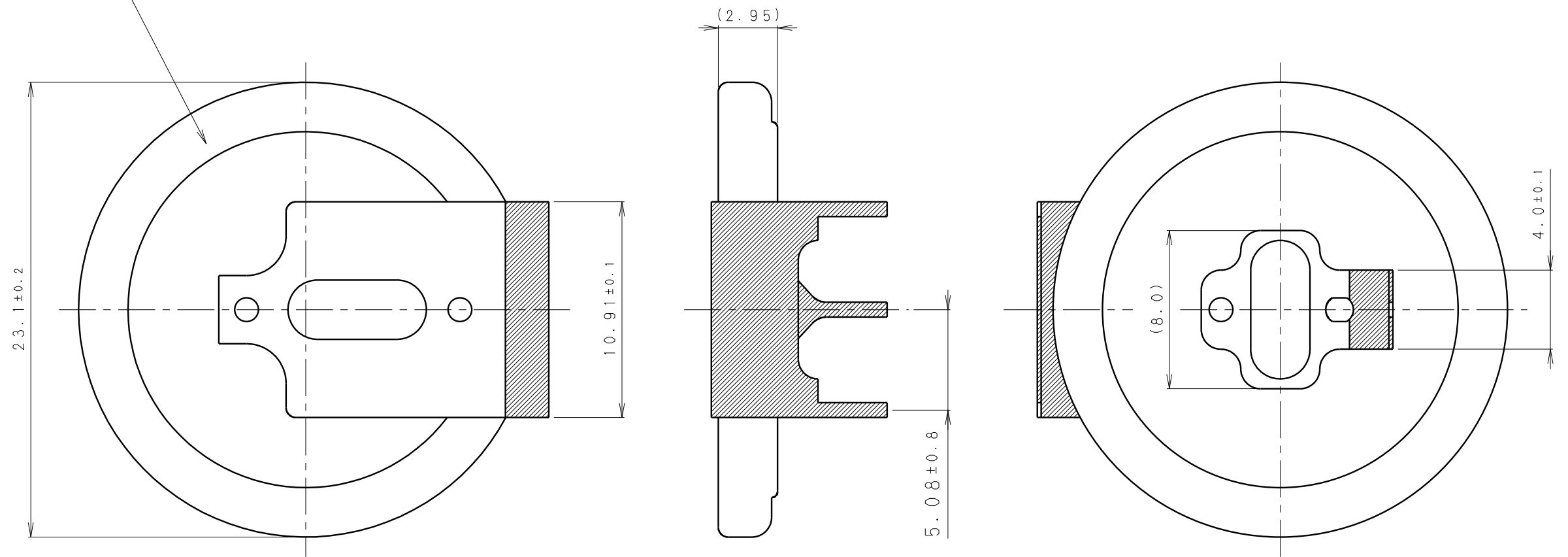


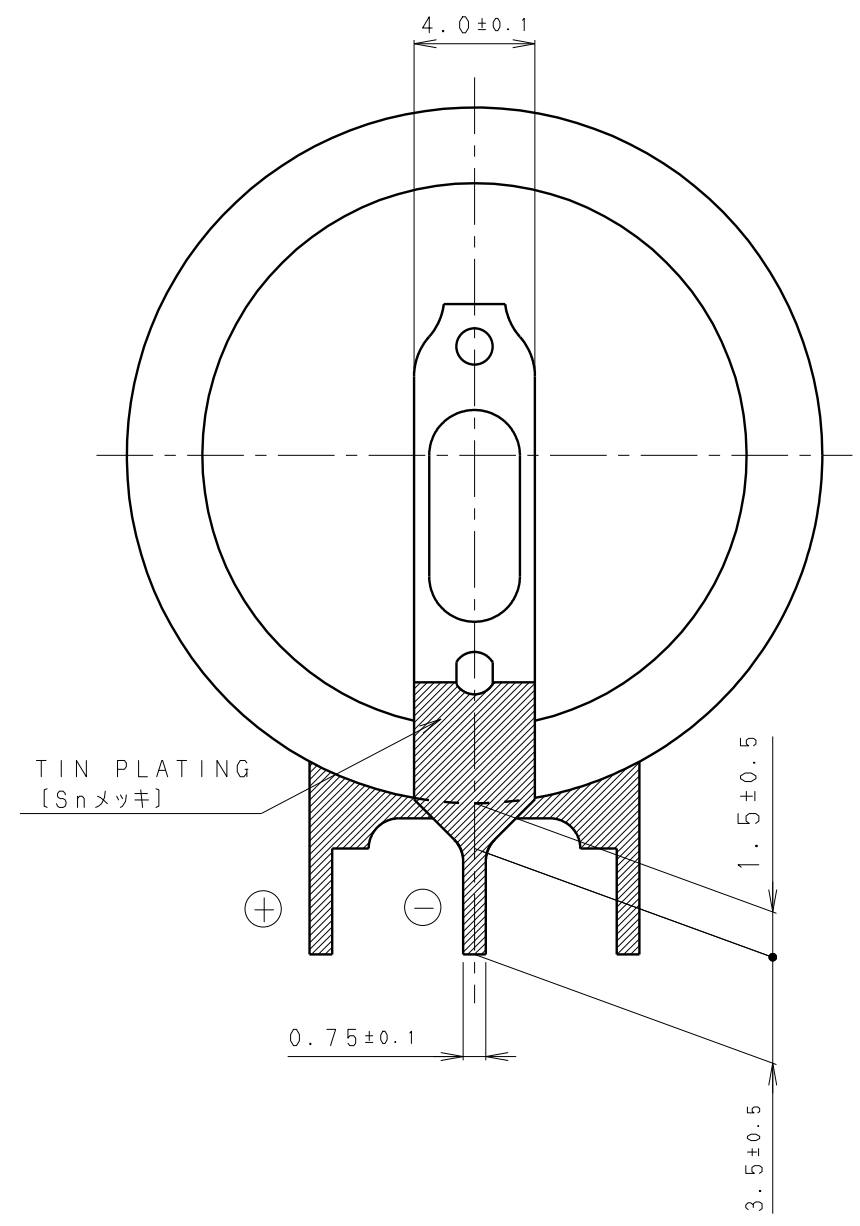
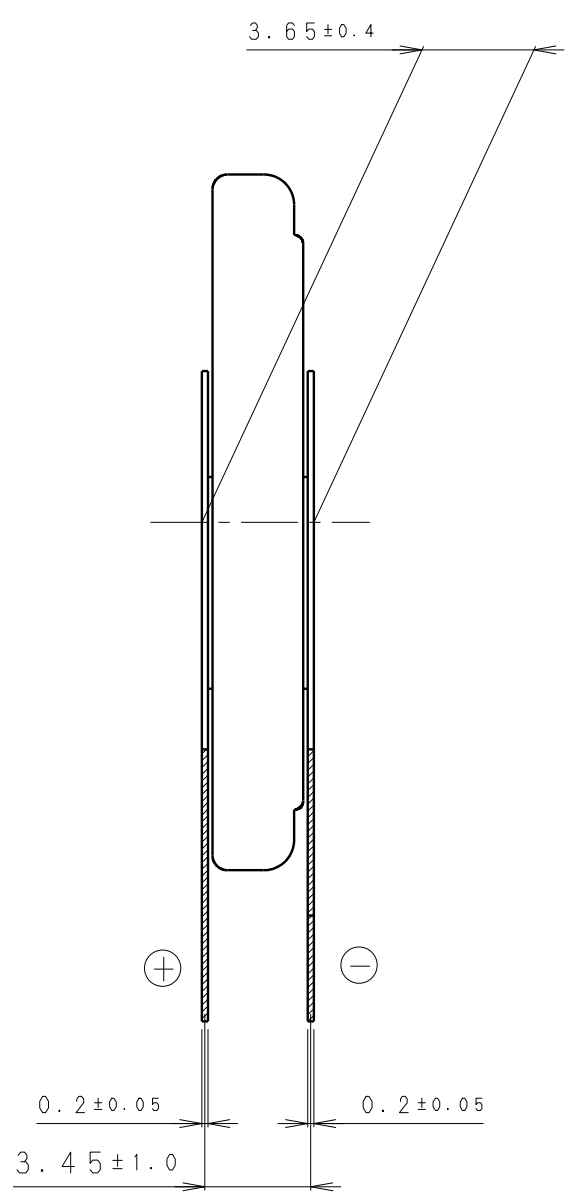
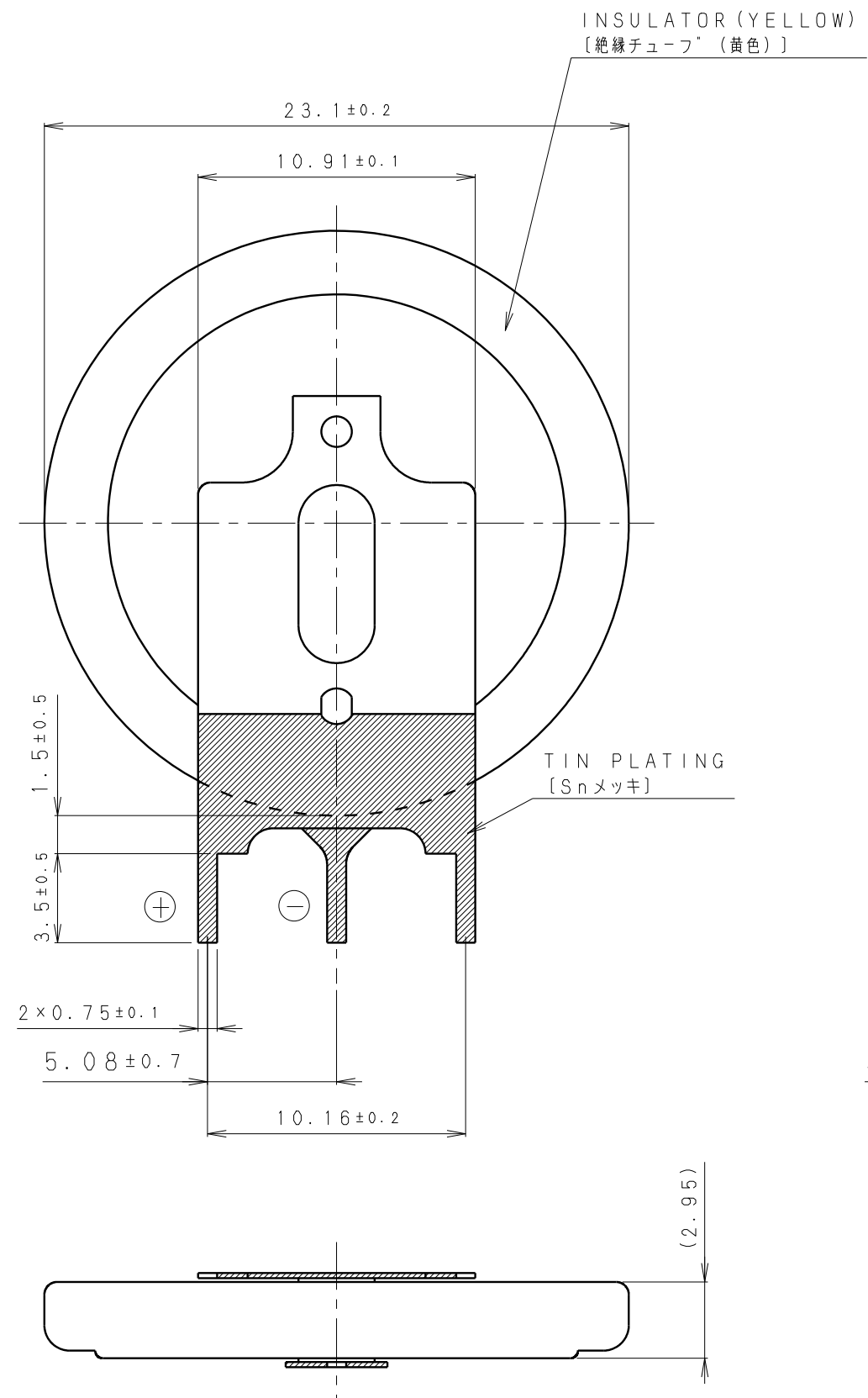
INSULATOR (YELLOW)
[絶縁シール (黄色)]



* NOTE [注記]

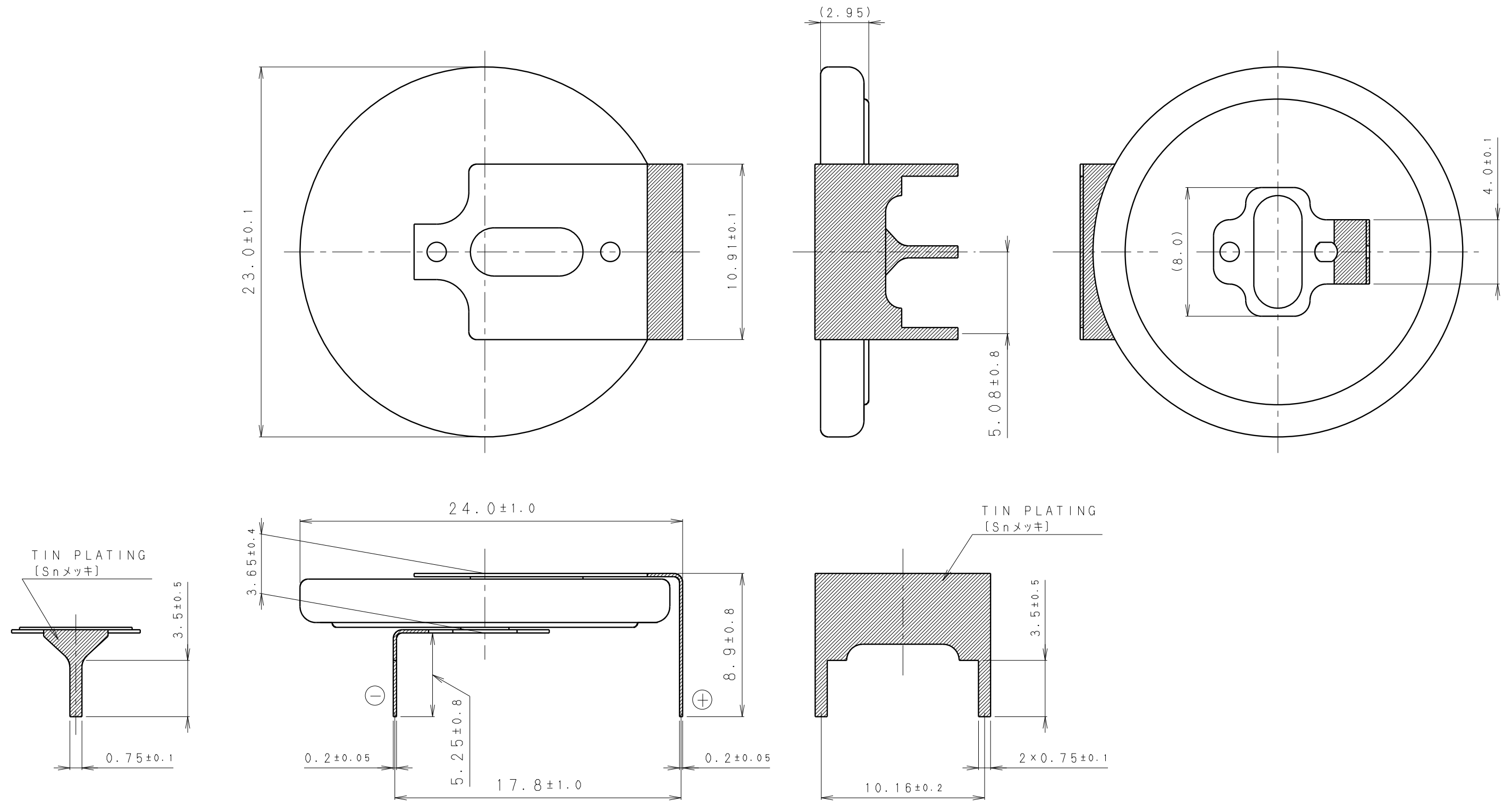
- TAB PULLING STRENGTH OVER 19.6N [端子溶接強度: 19.6N以上]
- TAB MATERIAL: STAINLESS STEEL WITH TIN PLATING [端子材料: 基材 ステンレス/表面 部分Snメッキ]
- (): REFERENCE DIMENSION AND ANGLE [() 寸法、角度は参考値]

PRODUCT NO.	BR-2330/GUFN	SCALE	4:1
DRAWING NO.	QKGB1Z	REV.	0
			UNIT:mm



* NOTE [注記]
 1. TAB PULLING STRENGTH OVER 19.6N [端子溶接強度: 19.6N以上]
 2. TAB MATERIAL: STAINLESS STEEL WITH TIN PLATING [端子材料: 基材 ステンレス/表面 部分Snメッキ]
 3. (): REFERENCE DIMENSION AND ANGLE [() 寸法、角度は参考値]

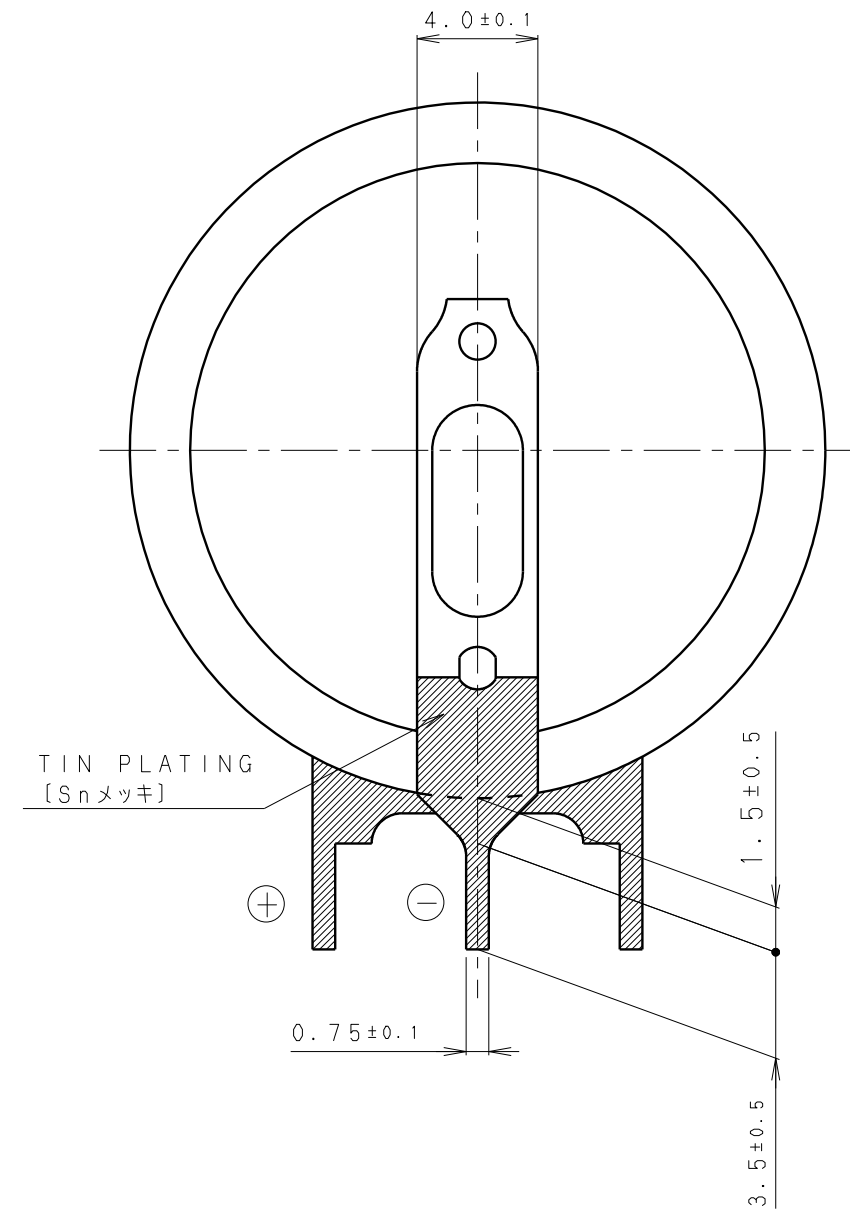
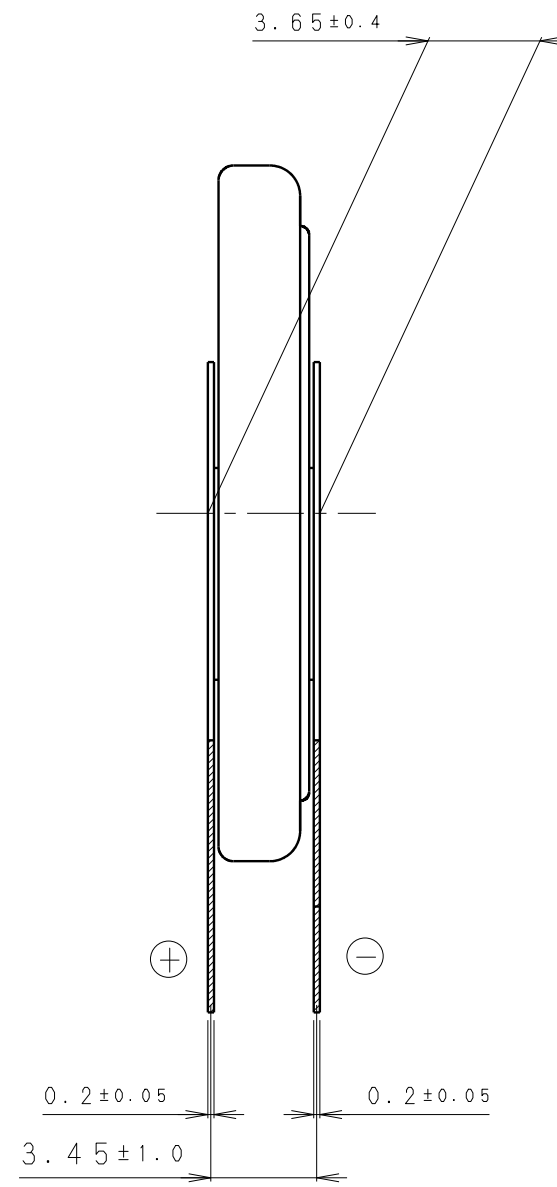
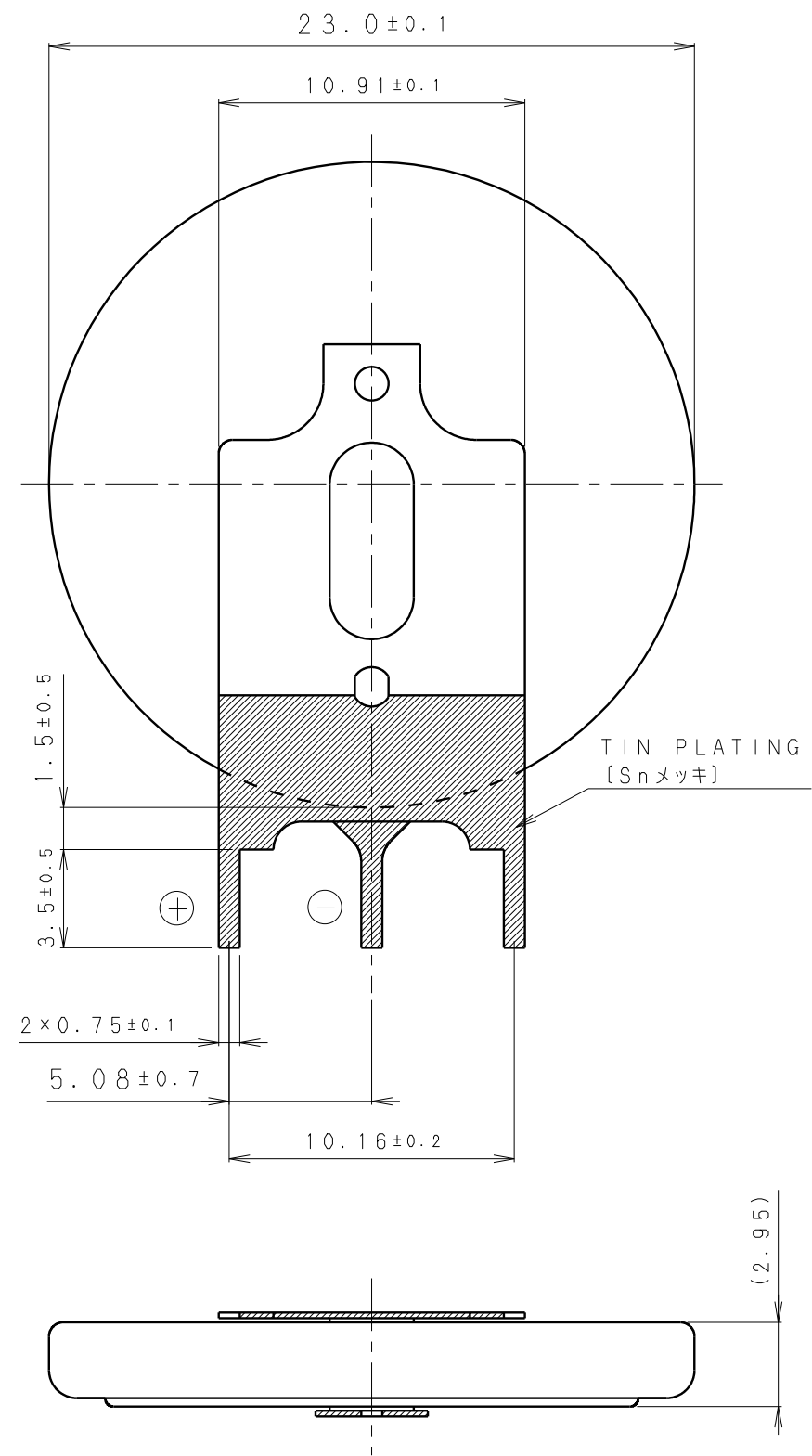
PRODUCT NO.	BR-2330/GVFN	SCALE	4:1
DRAWING NO.	QKWA1Z	REV.	0
			UNIT:mm



* NOTE [注記]

1. TAB PULLING STRENGTH OVER 19.6N [端子溶接強度: 19.6N以上]
2. TAB MATERIAL: STAINLESS STEEL WITH TIN PLATING [端子材料: 基材 ステンレス/表面 部分Snメッキ]
3. (): REFERENCE DIMENSION AND ANGLE [() 寸法、角度は参考値]

PRODUCT NO.	BR-2330/GUN	SCALE	4:1
DRAWING NO.	QKGB1N	REV.	0
		UNIT:mm	



* NOTE [注記]

1. TAB PULLING STRENGTH OVER 19.6N [端子溶接強度: 19.6N以上]
2. TAB MATERIAL: STAINLESS STEEL WITH TIN PLATING [端子材料: 基材 ステンレス/表面 部分Snメッキ]
3. (): REFERENCE DIMENSION AND ANGLE [() 寸法、角度は参考値]

PRODUCT NO.	BR-2330/GVN	SCALE	4:1
DRAWING NO.	QKWA1N	REV.	0
			UNIT:mm