

Model 6877
1/4" Receptacle, Panel Mount, Locking, Mono/Stereo



Model 6877 1/4" Receptacle, Panel Mount, Locking

Use 1/4" Pomona receptacles with panel or box broadcast applications

Features

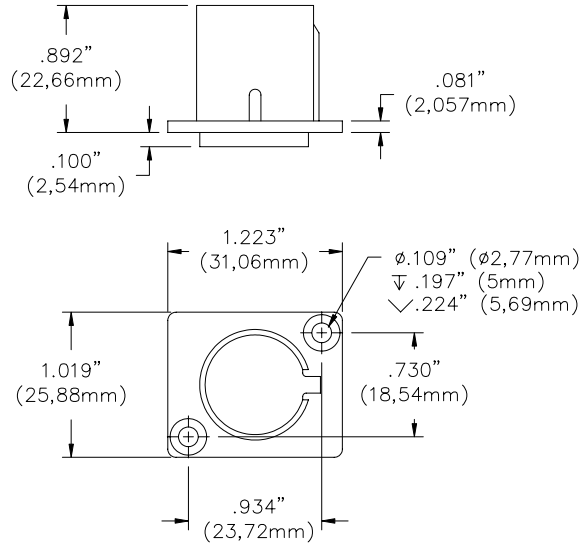
- Mates with both stereo and mono plugs.
- Handles 18 AWG (1 mm²) cable.
- Includes lock-in feature.

Materials

- Body is die cast zinc alloy.
- Tarnish resistant nickel-plating.

Ordering Information

Model: 6877



Specifications

Number of Contacts	2 pole (mono) 3 pole-tip, ring, sleeve (stereo)
Wire Size (Soldering)	18 AWG / 1 mm ² max.

USA: Sales: 800-490-2361 Technical Support: 800-241-2060 Fax: 888-403-3360

Europe: 31-(0) 40 2675 150 **International:** 425-446-5500
e-mail: technicalsupport@pomonatest.com

Where to Buy: www.pomonaelectronics.com

All dimensions are in inches. Tolerances (except noted): .xx = \pm .02" (.51 mm), .xxx = \pm .005" (.127 mm). All specifications are to the latest revisions. Specifications are subject to change without notice. Registered trademarks are the property of their respective companies.