

# IPD Ultima

## Premium USB desktop controllers

Distinctive features and specifications

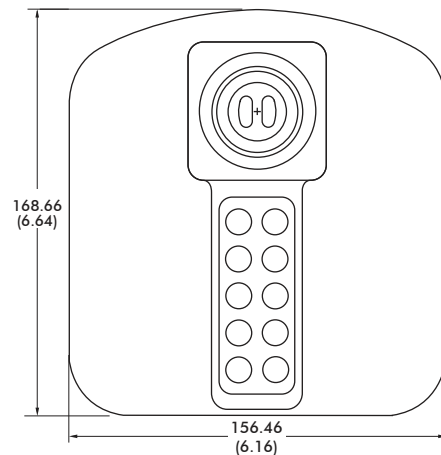
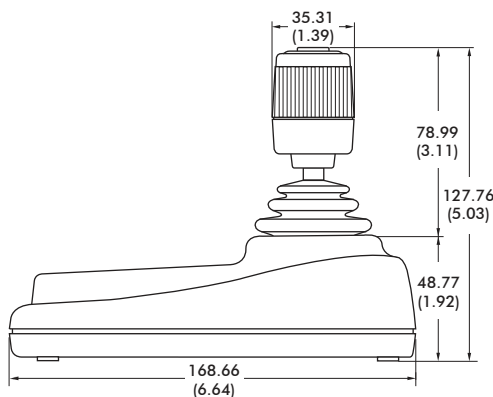


- 3 axis joystick for PTZ control
- LED pushbutton switches
- USB 1.1 HID compliant “game controller”
- Soft touch Business Blue coating

- Joystick performance:
  - Hall effect three axis joystick
  - X/Y/Z for positioning control
- Joystick travel:
  - 36° for X and Y axis
  - 60° for Z axis
- Centering: Single spring, omni-directional
- Joystick shaft: Stainless steel
- Joystick boot: Neoprene
- Joystick handle: Glass filled nylon
- Pushbutton performance:
  - 10 vibrant, high efficiency back lit LED pushbuttons rated for 10,000,000 life cycles
  - Two tactile pushbuttons on joystick rated for 3,000,000 life cycles
- Desktop housing:
  - High impact ABS
  - Soft touch Business Blue coating
- Power:
  - Via USB interface (5V DC)
  - Consumption 300mA

- Operating conditions: -25° to +85° C (-13 to +185° F)
- Approvals:
  - EN 55024:1998, EN 55022, CE
  - FCC Part 15 Subpart B Class B
  - RoHs compliant
- Weight: 455 g (1.00lb)
- Interface: USB port
- Connectors:
  - USB Type A Male
  - Cable Length: 2m; 6ft. 6.8in.
- Systems support integration: Windows 7, Vista, XP, 2000, Windows 8, OSX, Linux
- Supported protocols:
  - USB HID 1.1 game controller
  - Direct X (Gaming Control)
  - Joystick: Three HID axis
  - Pushbuttons: 12 HID buttons
  - Uses standard DirectX HID drivers
  - Connects directly to workstation PC
- Environmental: For indoor use only

NOTE: All values are nominal.



### NOTES:

Dimensions are in mm/(inch).

To order the IP Desktop please refer to Part Number 100-650.